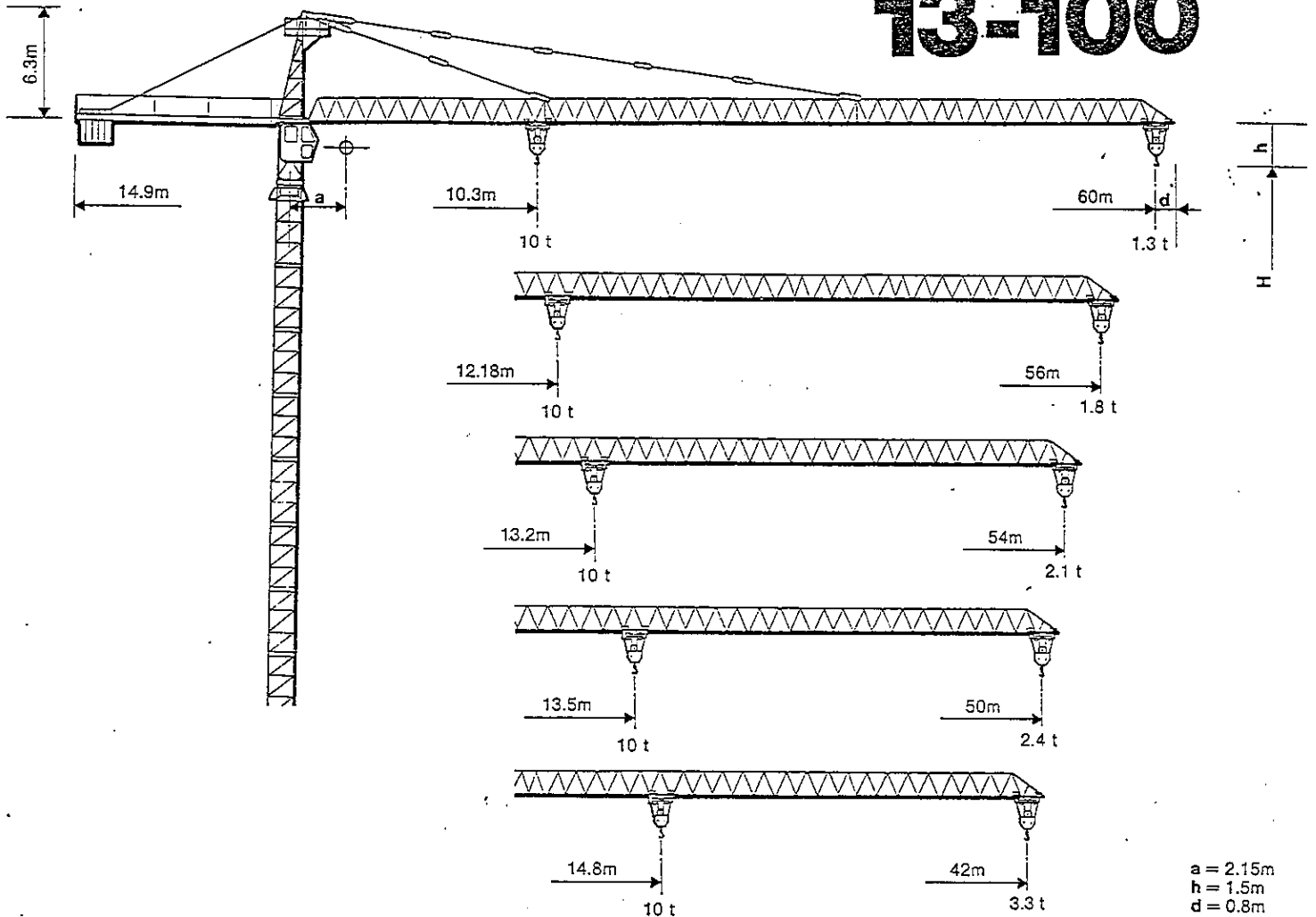


Gru a Torre

Tower crane

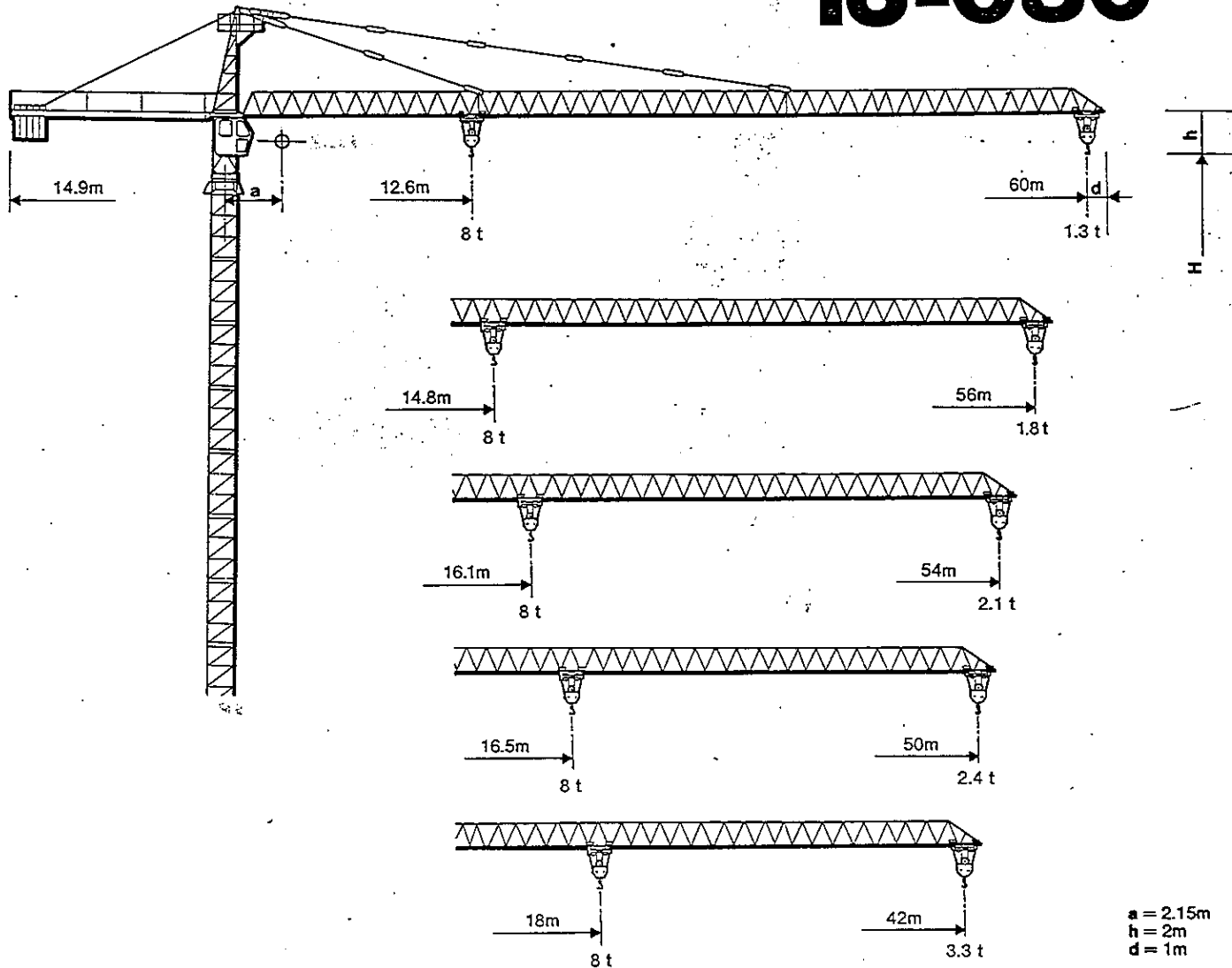
## CT 601 13-100



Sbracci e portate - Radius and capacity

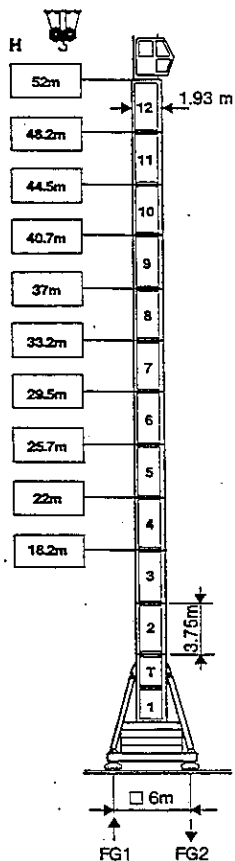
	10	15	18	21	24	27	30	33	36	39	42	45	50	52	54	56	60
5t → 20.4m (II)	5	5	5	4.84	4.16	3.63	3.2	2.86	2.57	2.32	2.11	1.93	1.68	1.59	1.51	1.43	1.3
10t → 10.3m (IV)	10	6.56	5.29	4.38	3.7	3.17	2.74	2.4	2.11	1.86	1.65	1.47	1.22	1.13	1.05	0.97	0.84
5t → 24.04m (II)	5	5	5	5	5	4.38	3.88	3.48	3.14	2.85	2.6	2.39	2.09	1.98	1.89	1.8	
10t → 12.18m (IV)	10	7.92	6.42	5.35	4.55	3.92	3.42	3.02	2.68	2.39	2.14	1.93	1.63	1.52	1.43	1.34	
5t → 26.07m (II)	5	5	5	5	5	4.8	4.26	3.82	3.45	3.14	2.87	2.64	2.31	2.2	2.1		
10t → 13.2m (IV)	10	8.67	7.05	5.89	5.02	4.34	3.8	3.36	2.99	2.68	2.41	2.18	1.85	1.74	1.64		
5t → 26.8m (II)	5	5	5	5	5	4.96	4.4	3.95	3.57	3.25	2.97	2.73	2.4				
10t → 13.5m (IV)	10	8.95	7.28	6.09	5.2	4.5	3.94	3.49	3.1	2.79	2.51	2.27	1.94				
5t → 29.2m (II)	5	5	5	5	5	5	4.86	4.36	3.95	3.6	3.3						
10t → 14.8m (IV)	10	9.87	8.05	6.74	5.77	5	4.4	3.9	3.49	3.14	2.84						

# CT601 13-080

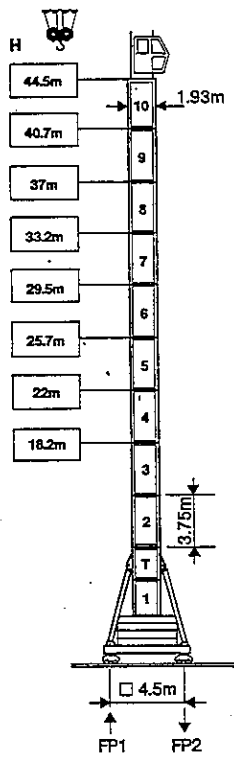


Sbracci e portate - Radius and capacity																	m
	10	15	18	21	24	27	30	33	36	39	42	45	50	52	54	56	60
	☐								☐								t
t ÷ 24.8m (II)	4	4	4	4	4	3.63	3.2	2.86	2.57	2.32	2.11	1.93	1.68	1.59	1.51	1.43	1.3
t ÷ 12.6m (IV)	8	6.56	5.29	4.38	3.7	3.17	2.74	2.4	2.11	1.86	1.65	1.47	1.22	1.13	1.05	0.97	0.84
t ÷ 29.5m (II)	4	4	4	4	4	4	3.88	3.48	3.14	2.85	2.6	2.39	2.09	1.98	1.89	1.8	
t ÷ 14.8m (IV)	8	7.92	6.42	5.35	4.55	3.92	3.42	3.02	2.68	2.39	2.14	1.93	1.63	1.52	1.43	1.34	
t ÷ 31.7m (II)	4	4	4	4	4	4	4	3.82	3.45	3.14	2.87	2.64	2.31	2.2	2.1		
t ÷ 16.1m (IV)	8	8	7.05	5.89	5.02	4.34	3.8	3.36	2.99	2.68	2.41	2.18	1.85	1.74	1.64		
t ÷ 32.6m (II)	4	4	4	4	4	4	4	3.95	3.57	3.25	2.97	2.73	2.4				
t ÷ 16.5m (IV)	8	8	7.28	6.09	5.2	4.5	3.94	3.49	3.1	2.79	2.51	2.27	1.94				
t ÷ 35.6m (II)	4	4	4	4	4	4	4	3.95	3.6	3.3							
t ÷ 18m (IV)	8	8	8	6.74	5.77	5	4.4	3.9	3.49	3.14	2.84						

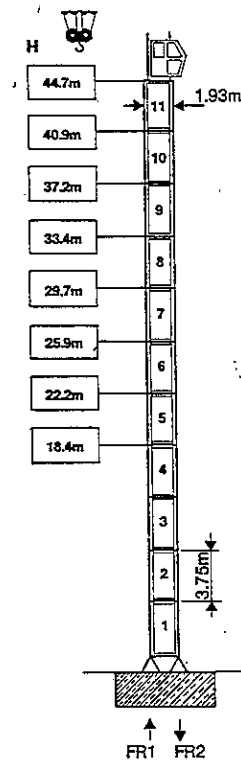
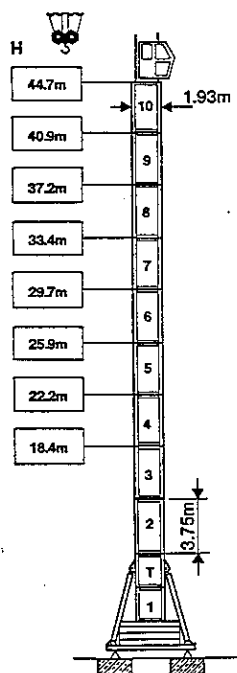
# CT 601



FG1	*	19 t •
FG2	72 t*	95 t •
	53.6 t	



FP1	*	25 t •
FP2	71 t*	89 t •
	48.3 t	



FR1	71 t*	122 t •
FR2	103 t*	152 t •
	42.7 t	

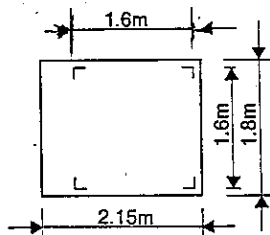
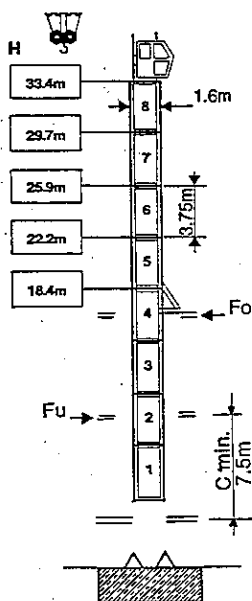
Per H sotto gancio togliere 0.28m dalla versione traslante

To get under hook height, deduct travelling version height of 0.28m

- \* In servizio
- Fuori servizio
- Peso gru senza zavorra max H max sbraccio


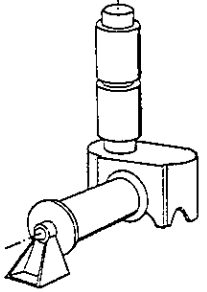


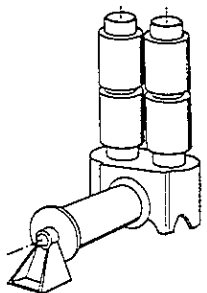


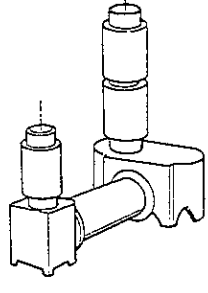



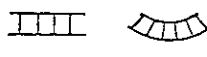


- \* In service
- Out of service
- Weight without ballast max height, max jib length

H > H max consultateci  
H > H max consult us



Fo	24 t
Fu	22 t
	58.5 t

Potenza totale richiesta Necessary power supply	Argani Winch	Corrente trifase Mains supply
46 Kw	SL 33	380 V - 50 Hz
58 Kw	SL 50	380 V - 50 Hz
60 Kw	ADC 53	380 V - 50 Hz

Meccanica / Mechanical components		m / min	t	HP	Kw		
DT 601 13 - 080 Argano standard Standard winch SL 33			8	4	33	24.3	450 m max
			32	4			
			65	2			
			4	8	50	36.7	> 450 m consultateci consult us
			16	8			
			32	4			
DT 601 13 - 100 Argano standard Standard winch SL 50			8	5	53	38.9	480 m max
			35	5			
			70	2.5			
			4	10	50	36.7	> 480 m consultateci consult us
			17.5	10			
			35	5			
Argano opzionale Optional winch ADC 53 - 5 vel. Vel. max 85 m / min			4.5	5	53	38.9	425 m max
			19	5			
			38	3			
			61	2.5			
			85	1.5	50	36.7	> 425 m consultateci consult us
			2.2	10			
			9	10			
			19	6			
			30	5			
			42	3			
Carrello standard Standard trolley			C 3 V	0-10-30-60 m/min	5/4 Kgm	—	
Traslazione Travelling			TR - TC	0-24 m/min	2x5.5 HP	2x4 Kw	
Rotazione standard Standard slewing			C V P	0 → 0.8	2x7.5 HP	2x5.5 Kw	